

SRJ Series Mono-Block



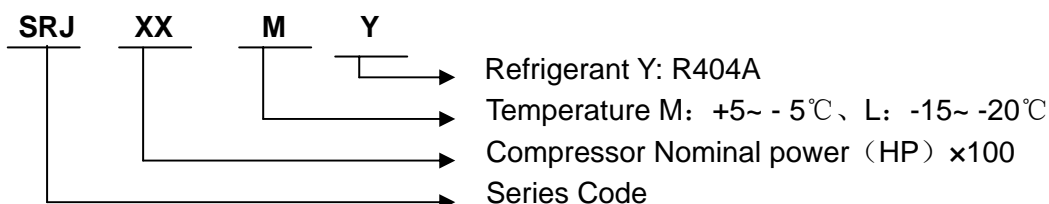
1. Application:

Monoblock Unit intergraded Evaporator, Condenser, Compressor, and Electrical Control into a compact body. It was widely used for hotel, restaurant, medicine, agricultural, and chemical industry where the small cold room with the request room temperature +5 ~ -5°C, and -15 ~ -20°C was needed.

Description:

- ◆ With the compact body Monoblock is easy to be install in the cold room;
- ◆ Maneurop compressor, Tecumseh compressor or other famous brand compressor inside;
- ◆ DIXELL electronic control board with automatic electric heater defrosting;
- ◆ Protection devices for over loading, sub-heating, lack of phase, hi-low pressure etc.

2. Nomenclature:



3. Specifications:

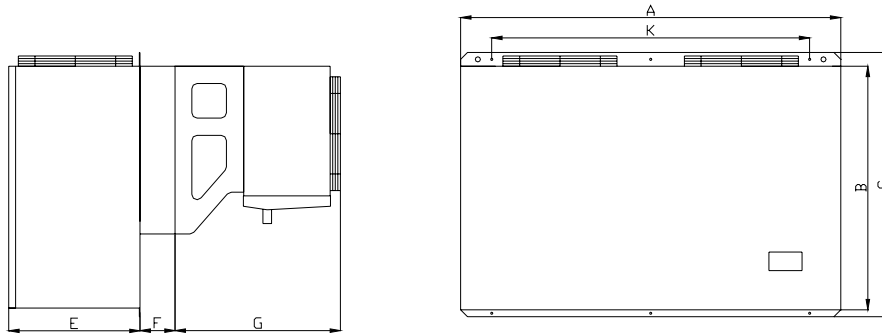
Model	SRJ33MY	SRJ50MY	SRJ63MY	SRJ100MY	SRJ125MY	SRJ175MY	SRJ200MY	SRJ275MY	SRJ350MY
Compressor	AE23440Z	CAE9460Z	CAE9470Z	CAE9510Z	CA54517Z	CAJ4519Z	FH4524Z	TFH4561E	TFH4540Z
Cooling capacity(W)	530	810	1150	1560	2230	2950	3250	4400	5200
Input (KW)	0.68	0.85	1.1	1.3	1.75	2.52	2.61	3.33	4.2
Power Supply	220V/1ph/50HZ						380V/3ph/50HZ		
Temp (°C)	-5 ~ 5								
Cond.fan(W)	1X75	1X75	1X75	1X80	1X80	1X155	1X155	2X80	2X80
Evap.fan(W)	1X75	1X75	1X75	1X80	1X80	1X155	1X155	2X80	2X80
Defrosting	Electric defrosting								
Throttle type	Expansion valve								
Refrigerant	R404A								

Model	SRJ50LY	SRJ63LY	SRJ100LY	SRJ150LY	SRJ200LY	SRJ300LY	SRJ400LY
Compressor	CAE2420Z	CAE2424Z	CAJ2446Z	CAJ2464Z	FH2480Z	TFH2511Z	TAG2516Z
Cooling capacity(W)	550	660	750	1050	1580	2060	3100
Input (KW)	0.63	0.71	1.04	1.35	2.01	2.63	3.26
Power Supply	220V/1ph/50HZ				380V/3ph/50HZ		
Temp (°C)	-18 ~ -20						
Cond.fan(W)	1X75	1X75	1X80	1X80	1X155	1X155	2X80
Evap.fan(W)	1X75	1X75	1X80	1X80	1X155	1X155	2X80
Defrosting	Electric defrosting						
Throttle type	Expansion valve						
Refrigerant	R404A						

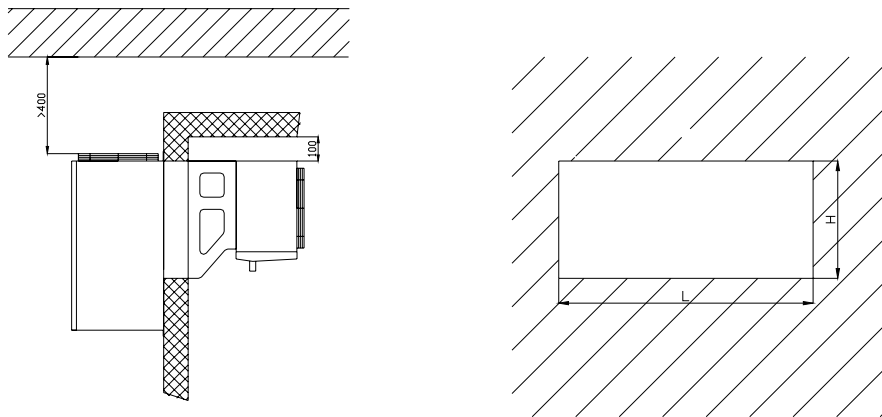
Remarks: SRJxxM --- Testing Evaporating temp: -7°C, Condensing temp: 45°C, SRJxxL --- Evaporating temp: -25°C, Condensing temp: 45°C

4. Overall Dimension

4.1 Size



4.2 Mounting and Hole size on the Wall



4.3 Overall size:

Model	SRJ33MY	SRJ50MY	SRJ63MY	SRJ100MY	SRJ125MY	SRJ175MY	SRJ200MY	SRJ275MY	SRJ350MY
A	490	490	490	620	620	800	800	1090	1090
B	920	920	995	995	995	995	995	995	995
C	665	665	665	765	765	765	765	765	765
E	340	340	340	390	390	390	390	390	390
F	100	100	100	100	100	100	100	100	100
L	445	445	445	575	575	755	755	1045	1045
H	360	360	455	455	455	455	455	455	455

Model	SRJ50LY	SRJ63LY	SRJ100LY	SRJ150LY	SRJ200LY	SRJ300LY	SRJ400LY
A	490	490	620	620	800	800	1090
B	970	970	1045	1045	1045	1045	1045
C	665	665	765	765	765	765	765
E	340	340	390	390	390	390	390
F	150	150	150	150	150	150	150
L	445	445	575	575	755	755	1045
H	360	360	455	455	455	455	455