

CD series air cooled condenser

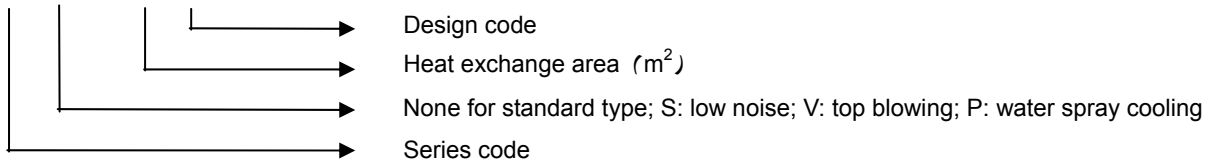


1. Product description

The CD series Products are air cooled heat exchangers for refrigeration system. They are divided into 4 groups: CD, CDP, CDS and CDV. Besides CDV type, which is top discharge, all these condensers are side discharge. The products have been tested at 2.8MPa for the air leakage, and the system is disposed of pollution. R22, R134a, R404A, & R407C could run on these systems.

2. Nomenclature

CD S -- 80 A



3. Specifications

3.1 CD standard type

Model	Capacity Kw	Area m ²	Fan motor				Connection pipe(mm)		Overall size (mm)			Install size (mm)	
			Input (w)	Dia (mm)	Air flow(m ³ /h)	Voltage (v)	Inlet	outlet	A×B×C			D	E
CD-2	0.6	2	1×35	200	410	220	φ10	φ10	320×100×230			270	65
CD-3.4	1.0	3.4	1×35	200	410	220	φ12	φ12	320×100×230			270	65
CD-4.4	1.3	4.4	1×60	250	750	220	φ12	φ12	370×100×280			325	65
CD-5.4	1.6	5.4	1×75	300	1350	220	φ12	φ12	440×100×330			392	65
CD-7.0	2.0	7.0	1×90	300	1350	220	φ12	φ12	440.×135×330			390	90
CD-8.4	2.3	8.4	1×150	350	3100	380	φ16	φ12	500×130×430			455	95
CD-11.5	3.5	11.5	1×150	350	3100	380	φ16	φ12	480×180×430			430	145
CD-15	4.4	15	1×150	350	3100	380	φ16	φ12	550×180×480			490	145
CD-18	5.2	18	1×180	400	4500	380	φ19	φ16	590×180×530			530	140
CD-22	6.4	22	1×180	400	4500	380	φ19	φ16	590×180×530			530	140
CD-25	8.1	25	1×180	400	4500	380	φ19	φ16	750×180×680			660	150
CD-21	6.1	21	2×90	300	2700	220	φ16	φ12	840×180×430			790	140
CD-28	8.2	28	2×150	350	6200	380	φ19	φ16	900×180×430			840	145
CD-33	11.2	33	2×150	350	6200	380	φ19	φ16	900×200×480			840	130
CD-36	12.6	36	2×180	400	9000	380	φ19	φ16	1015×180×580			950	150
CD-43	14.8	43	2×180	400	9000	380	φ22	φ16	1015×180×680			950	150
CD-48	17.5	48	2×180	400	9000	380	φ22	φ16	1250×200×630			1172	120
CD-55	19.2	55	2×180	400	9000	380	φ22	φ19	1250×200×730			1172	140
CD-70	20.5	70	2×250	450	10360	380	φ28	φ19	1250×200×830			1172	120
CD-80	24.4	80	2×250	450	10360	380	φ28	φ19	1250×200×830			1172	120
CD-100	29.6	100	4×180	400	18000	380	φ28	φ22	1250×200×1130			1172	120
CD-130	38.2	130	4×180	400	18000	380	φ28	φ22	1250×200×1380			1172	120
CD-150	47.2	150	4×180	400	18000	380	φ28	φ22	1250×250×1330			1240	200
CD-180	54	180	4×180	400	18000	380	φ35	φ22	1250×270×1330			1240	200

3.2. CDS low noise type

Model	Capacity KW	Area m ²	Fan motor						Connection pipe(mm)		Overall size (mm)			Install size (mm)			
			Input (w)	Dia (mm)	Voltage (V)	Air flow m3/h	Pole	Inlet	outlet	A	B	C	D	E1	E2	E3	
CDS-25	7.5	25	180	450	380	4600	6	16	12	855	430	630	845	25	160	160	
CDS-35	10.5	35	180	450	380	4600	6	16	12	855	430	630	845	25	160	160	
CDS-40	12	40	320	500	380	6150	6	16	12	855	470	730	845	25	175	175	
CDS-45	13.5	45	600	560	380	6800	8	22	12	855	470	830	845	25	175	175	
CDS-55	16.5	55	600	560	380	6800	8	22	16	855	470	830	845	25	175	175	
CDS-65	19.5	65	600	560	380	6800	8	22	16	855	470	930	845	25	175	175	
CDS-80	24	80	2×320	500	380	12300	6	28	16	1440	470	830	1430	25	175	175	
CDS-90	27	90	2×600	560	380	13600	8	28	22	1440	470	930	1430	25	175	175	
CDS-110	33	110	2×600	560	380	13600	8	28	22	1440	470	930	1430	25	175	175	
CDS-130	39	130	2×680	610	380	16400	8	28	22	1540	510	930	1530	25	195	195	

CDS-150	45	150	2×680	610	380	16400	8	28	22	1540	510	1030	1530	25	195	195
---------	----	-----	-------	-----	-----	-------	---	----	----	------	-----	------	------	----	-----	-----

3.3. CDV type

Model	Capacity KW	Area m ²	Fan motor				Connection pipe(mm)		Overall size (mm)			Install size (mm)	
			Input (w)	Dia (mm)	Voltage(V)	Air flow m ³ /h	Inlet	outlet	A	B	C	a	b
CDV-70A	22.4	70	2×450	500	380	13000	2×φ22	2×φ16	1455	976	952	1330	896
CDV-105A	33.7	105	2×600	550	380	17400	2×φ22	2×φ16	1455	976	952	1330	896
CDV-140A	44.9	140	2×600	550	380	17400	2×φ22	2×φ16	1455	976	952	1330	896
CDV-175A	55.4	175	2×800	630	380	26000	2×φ28	2×φ22	1755	1050	1050	1630	970
CDV-195A	62.1	195	2×800	630	380	26000	2×φ28	2×φ22	1755	1050	1050	1630	970
CDV-260A	83.2	260	3×800	630	380	39000	2×φ28	2×φ22	2555	1050	1050	2430	970
CDV-295A	93.4	295	3×800	630	380	39000	2×φ28	2×φ22	2555	1050	1050	2430	970
CDV-365A	116.5	365	3×800	630	380	39000	2×φ28	2×φ22	2555	1050	1050	2430	970
CDV-405A	130.0	405	4×800	630	380	52000	2×φ35	2×φ28	3155	1112	1144	3030	1032
CDV-505A	162.0	505	4×800	630	380	52000	2×φ35	2×φ28	3155	1112	1144	3030	1032

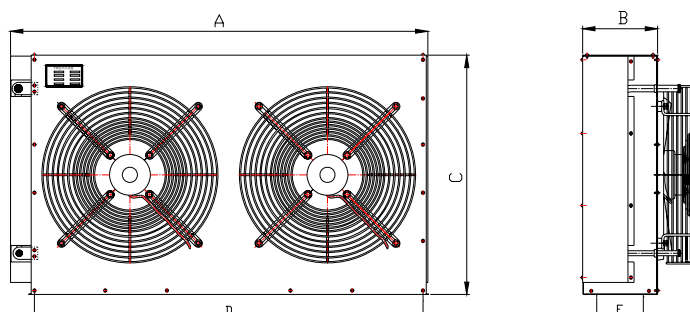
3.4 CDP type condenser with water spray cooling

Model	Capacity KW	Area m ²	Fan motor			Connection pipe(mm)			Water flow (m ³ /h)	Overall size (mm)			Install size (mm)	
			Input W	Voltage V	Air flow m ³ /h	Refrigerant		Water		A	B	C	a	b
						Gas	Liquid							
CDP-70	22.4	70	2×450	380	13000	2×φ22	2×φ16	3/4"	0.6	1455	1162	952	1330	896
CDP-105	33.7	105	2×600	380	17400	2×φ22	2×φ16	3/4"	0.6	1455	1162	952	1330	896
CDP-140	44.9	140	2×600	380	17400	2×φ22	2×φ16	3/4"	0.6	1455	1162	952	1330	896
CDP-175	55.4	175	2×800	380	26000	2×φ28	2×φ22	3/4"	0.8	1755	1237	1050	1630	970
CDP-195	62.1	195	2×800	380	26000	2×φ28	2×φ22	3/4"	0.8	1755	1237	1050	1630	970
CDP-260	83.2	260	3×800	380	39000	2×φ28	2×φ22	1"	1.1	2555	1237	1050	2430	970
CDP-295	93.4	295	3×800	380	39000	2×φ28	2×φ22	1"	1.1	2555	1237	1050	2430	970
CDP-365	116.5	365	3×800	380	39000	2×φ28	2×φ22	1"	1.1	2555	1237	1050	2430	970
CDP-405	130.0	405	4×800	380	52000	2×φ35	2×φ28	1"	1.4	3155	1300	1144	3030	1032
CDP-505	162.0	505	4×800	380	52000	2×φ35	2×φ28	1"	1.4	3155	1300	1144	3030	1032

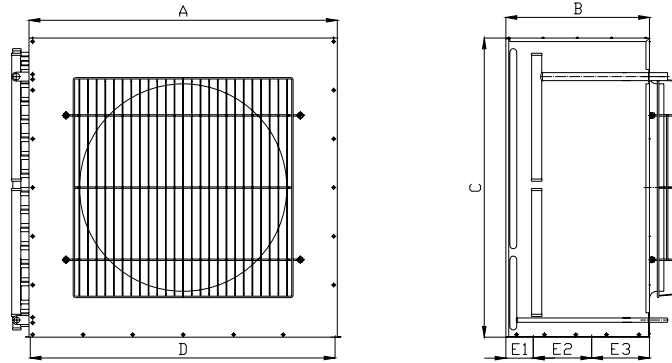
Note:1. the capacity is tested without water spray; 2. the water pressure must not be lower than 1.5 bar.

4. Overall dimensions

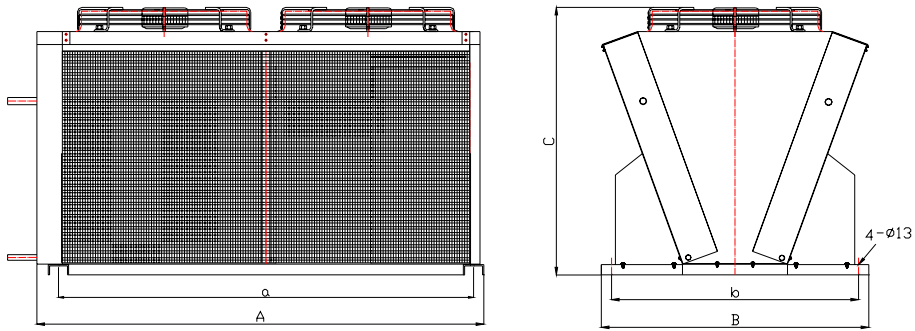
CD series Condensers



CDS series diagram



CDV series diagram



CDP series diagram

