

# FWS/WS series water cooled condensers

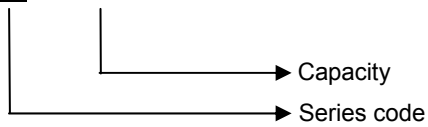


## 1. Product description

The series include two groups of products, the FW and WS. The products are water cooled shell and pipe heat exchangers for refrigeration system. Our company is a special manufacturer for those products with National issued pressure manufacturing license. All are produced according to the National standard under the supervision of the national quality bureau. All the products have been tested on 2.8MPa air pressure for the shell, 1.0MPa water pressure for the pipe.

## 2. Nomenclature

FWS -- 80



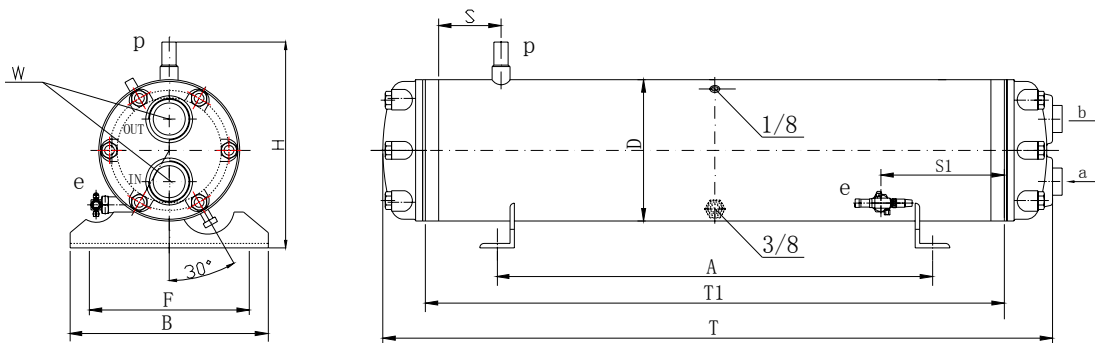
## 3. Specifications

### 3.1 FWS type condenser with receiver

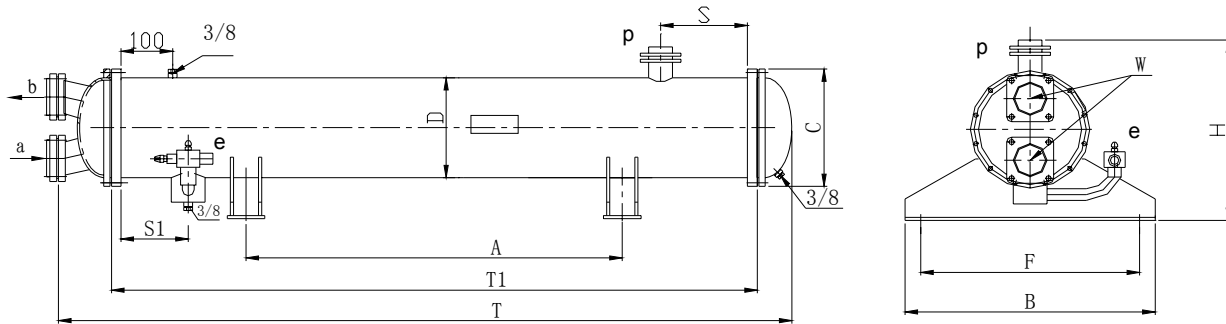
Model	Capacity KW	Water flow m <sup>3</sup> /h	Overall size (mm)					Install size (mm)				Connect pipe(mm)			Path
			D	T	T1	B	H	F	A	S	S1	p	e	w	
FWS-3	8.16	1.8	159	740	650	340	265	290	510	90	160	12	12	1 1/4"	2
FWS-4	11.56	2.5	159	740	650	340	299	290	510	90	160	16	12	1 1/4"	2
FWS-5	14.28	3.1	219	930	840	370	359	320	600	90	160	16	16	1 1/2"	2
FWS-8	20.4	4.5	159	1080	990	370	359	320	710	90	160	22	16	1 1/2"	2
FWS-10	23.8	5.2	219	1250	1160	370	359	320	850	90	240	28	22	1 1/2"	2
FWS-15	38	8.2	273	1290	1200	440	413	390	850	90	260	28	22	2"	2
FWS-20	51.4	11	273	1290	1200	440	413	390	850	90	260	28	28	2"	2
FWS-25	62.5	13.5	273	1290	1200	440	413	390	850	90	260	28	28	2"	2
FWS-30	76	16.5	273	1290	1200	440	413	390	850	90	260	35	28	2 1/2"	2
FWS-35	88	19	273	1650	1560	440	413	390	1000	90	260	35	28	2 1/2"	2
FWS-40	100	22	273	1650	1560	440	413	390	1000	90	260	35	28	2 1/2"	2
FWS-45	114	25	273	1650	1560	440	413	390	1000	90	260	42	28	2 1/2"	2
FWS-50	128	27.5	273	2090	2000	440	413	390	1200	90	260	42	28	2 1/2"	2
FWS-55	140	30	273	2090	2000	440	413	390	1200	90	260	54	35	2 1/2"	2
FWS-60	155	33	273	2090	2000	440	413	390	1200	90	260	54	35	2 1/2"	2
FWS-70	178	38	325	2300	2000	500	565	450	1200	150"	260	54	35	3"	2
FWS-80	204	44	325	2300	2000	500	565	450	1200	150"	260	54	35	3"	2
FWS-90	238	47	325	2300	2000	500	565	450	1200	150"	260	54	35	4"	2
FWS-100	256	55	325	2300	2000	500	565	450	1200	150"	260	54	35	4"	2
FWS-110	285	61	351	2600	2300	600	591	550	1500	150"	300	54	35	4"	2
FWS-120	310	66	351	2600	2300	600	591	550	1500	200"	300	66	42	4"	2
FWS-130	336	72	351	2600	2300	600	591	550	1500	200"	300	66	42	5"	2
FWS-140	362	80	377	2900	2500	650	617	600	1500	200"	300	66	42	5"	2
FWS-150	392	85	377	2900	2500	650	617	600	1800	200"	300	66	42	5"	2
FWS-170	440	95	377	3200	2800	650	617	600	1800	200"	300	79	42	5"	2
FWS-180	470	100	377	3200	2800	650	617	600	1800	200"	300	79	42	6"	2
FWS-200	520	110	426	3200	2800	750	666	680	1800	200"	300	79	42	6"	2
FWS-220	570	120	426	3200	2800	750	666	680	1800	200"	300	108	54	6"	2
FWS-240	620	130	530	3200	2800	800	770	7200	1800	200"	300	108	54	6"	2
FWS-270	700	150	530	3350	3000	800	770	720	1800	200"	300	108	54	6"	2
FWS-300	780	168	530	3350	3000	800	770	7200	1800	200"	300	108	54	6"	2

### 3. Overall dimensions

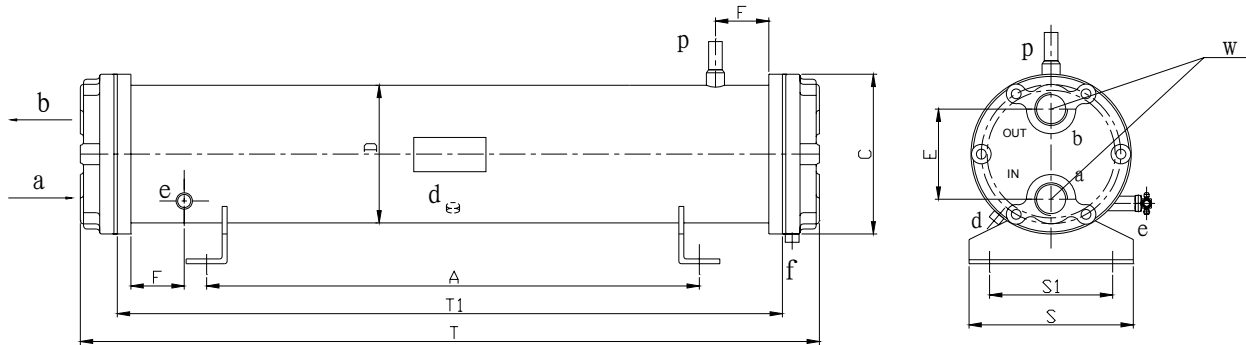
FWS-3 ~ FWS-60 Diagram



**FWS-70 ~ FWS-150 Diagram**



**WS-3 ~ WS-60 Diagram**



**WS-70 ~ WS-180 Diagram**

